

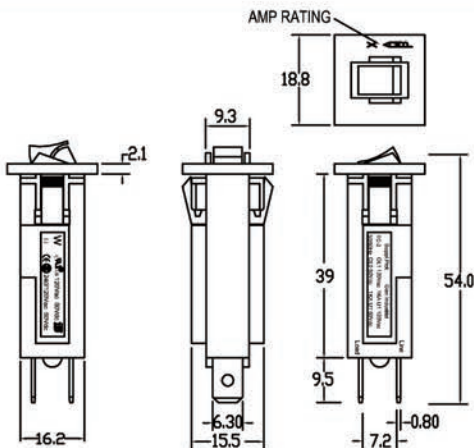
W Series

W Series "SERIES TRIP", "PUSH TO RESET" Single Pole circuit breakers represent our largest selling product family. Based on a proven "SNAP ACTING" bimetallic thermal sensing element system. W Series circuit breakers sense Overload conditions and interrupt the flow of Current. The resettable actuator mechanism then remains disengaged until manually reset.

W Series offers amperage ratings from 1.5A to 20A, and is suitable for a diversity of applications, our products are carefully calibrated and tested to ensure reliable performance under a variety of operating assignments and conditions.



Outline Dimensions



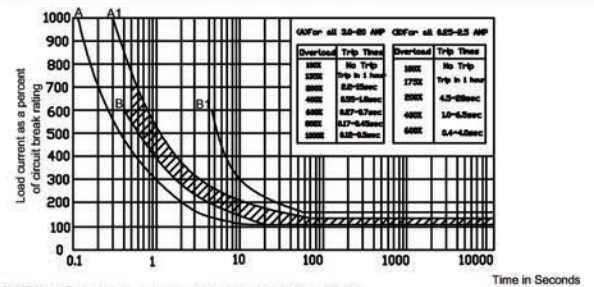
Specification

Rated Voltage	AC 120/240V DC 50V
Rated Current	0.25~20A
Interrupt Capacity	120VacX1000A 240VacX1000A
Dielectric Strength	1,500Vac 1 minute
Resettable Overload Capacity	Ten Times Rated Current
Voltage Drop	Less than 0.25V
Insulation Resistance	>100 MΩ
Reset Time	Within 60 seconds
Temperature Rise at Terminal Block	Less than 65°C at 100% of rated Current applied continuously at 28°C
Contact Endurance	125Vac X 150% of rated current > 500 Cycles

Typical Resistance VS. Current Rating @ +25°C

Current Rating in Amps	Typical Resistance in Ohms	Current Rating in Amps	Typical Resistance in Ohms
1.5~2.0A	0.150	8~9A	0.016
2.5~3A	0.120	10~11A	0.012
3~4A	0.080	12~13A	0.010
4~5A	0.040	14~16A	0.008
5~6A	0.025	18~20A	0.006
6~7A	0.020		

Time vs. Current Trip Curve @ +25°C



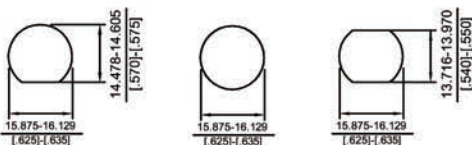
- 100% of rated current: Hold, No-Trip
- Below 5A, 150% of rated current -Trip within 1 Hour
- Over 5A, 135% of rated current-Trip Within 1 Hour
- 200% of rated current-Trip Within 1 minute

Ambient Compensation Table

Current Rating Amps		Capacity Correction Factors For Ambient Temperatures								
		Temperature								
°F	+14	+32	+50	+68	+77	+86	+104	+122	+140	
°C	-10	+0	+10	+20	+25	+30	+40	+50	+60	
1.5 to 20A	X0.80	X0.85	X0.90	X0.96	X1.00	X1.04	X1.15	X1.39	X1.49	

The unit is calibrated for ambient temperature of +25°C. To determine the rated current for a lower or higher ambient Temperature, use a correction factor as above.

Recommended Panel Cutouts



Recommended Panel Thickness: .032"-.062"(.813mm-1.574mm)

Ordering Guide

W	0 5 0	1	B	1	1
Series	Rating	Terminal	Bezel&Rocker	Case	Stamping
A25	0.25A	250 Tab	1 Black A	1 Black	Panel side printing
A50	0.5A		2 Black B	2 Gray	Panel front print
010	1A		1.22~2.65		
⋮	⋮		Black C		
150	15A		0.51~1.50		
160	16A				
200	20A				

Approval



Approval	File No.	Rated current range	Rated Voltage	Standard
UL+cUL	E478741	2~20A	125/250VAC 50VDC	UL1077
TUV	R50159372	0.25~20A	120/240VAC 50VDC	EN60934